



BRICK® SKID

25 Years of Service
Electrical & Mechanical Design



The NEXT Evolution of Temporary Area Lighting

Designed for use anywhere in or near combustible gas, liquids or dust

Replaces/Supplements Generator-driven Light Towers

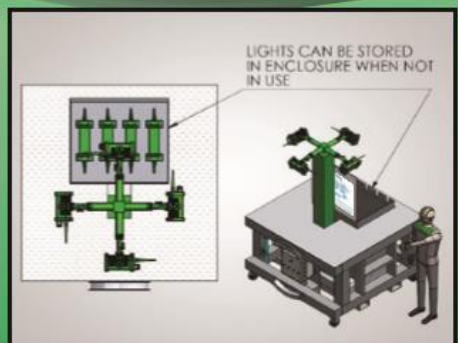
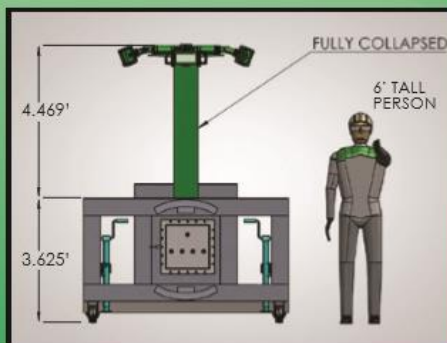
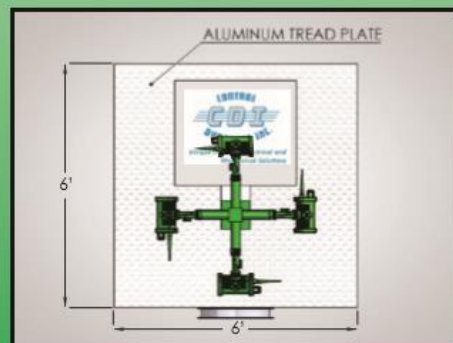
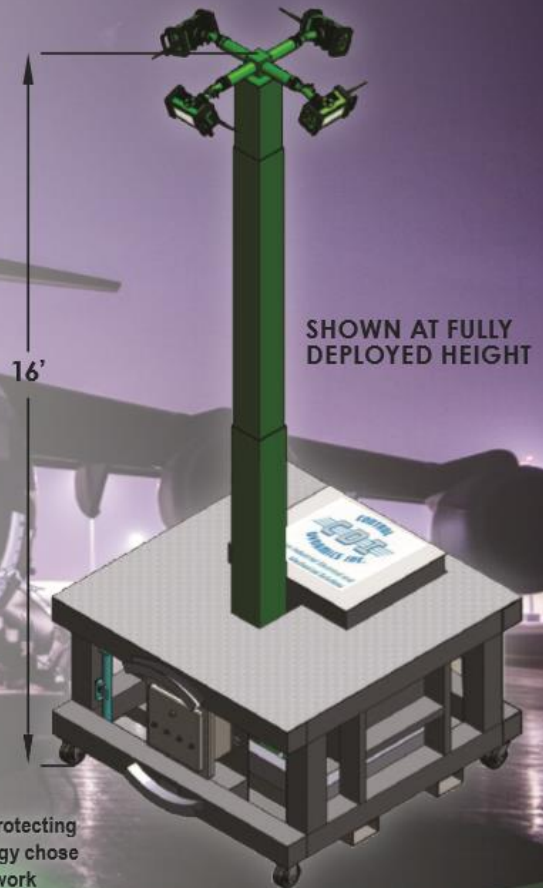
Product Highlights

- ZERO EMISSIONS
- NO Noise
- NO Heat
- NO Drip Pans
- NO Fueling/Fueler (EPA Fuel Spillage Issues)
- NO Maintenance
- Total Spark-Free Construction
- Secure Locker for Storage of Converter/Cables During Shipment
- Independent Aiming of Each BRICK®
- Ability to Remove a BRICK® (for vessel entry / work light / independent rental)
- 360° Lighting of a +200ft Diameter Area
- Class 1 & 2, Div 1 Electrics/Plug receptacles
- Compact size 6'x6', 2,250 lbs, retractable 16' mast
- Note: 1,250 lbs is ballast sealed in base for high wind/tip over protection
- Reduce Tripping Hazards & Total Electric Power Draw:
- a SINGLE 110/220VAC, 20 AMP Plug-in cord

Options:

- Tow Bar/Rollers
- Lifting Eyes
- Ordinary Location Construction & Electronics

BRICK SKIDs offer uncompromising Reliability, Safety, and Environmental Benefits while protecting labor/assets, improving productivity and quickly returning capital spent. Western Technology chose Control Dynamics, Everett, WA, a company with a long history of building advanced aerial work platforms and MEWP fall protection systems, to design and fabricate the BRICK SKID.



CONTROL DYNAMICS INC.

21 East Marine View Drive, STE G
Everett, WA 98201
1-800-738-5004

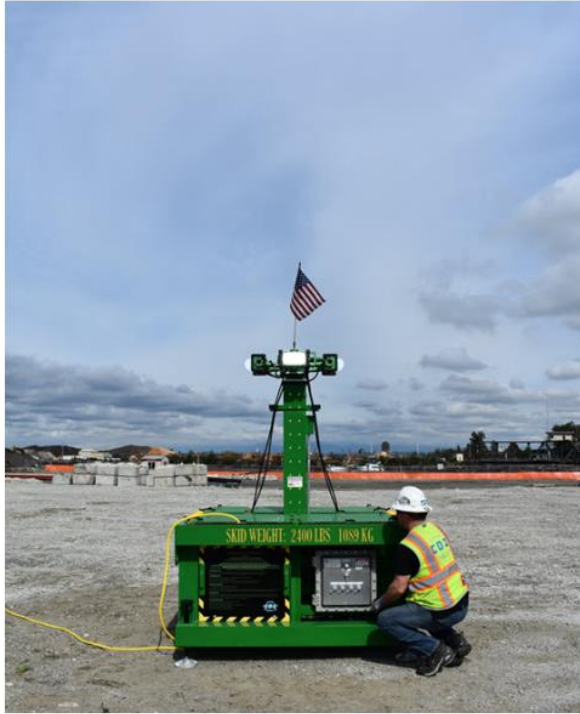
www.cdinw.com
www.piranha-safety.com
contact@cdinw.com





BRICK® SKID

25 Years of Service
Electrical & Mechanical Design



CONTROL DYNAMICS INC.

21 East Marine View Drive, STE G
Everett, WA 98201
1-800-738-5004

www.cdinw.com
www.piranha-safety.com
contact@cdinw.com

